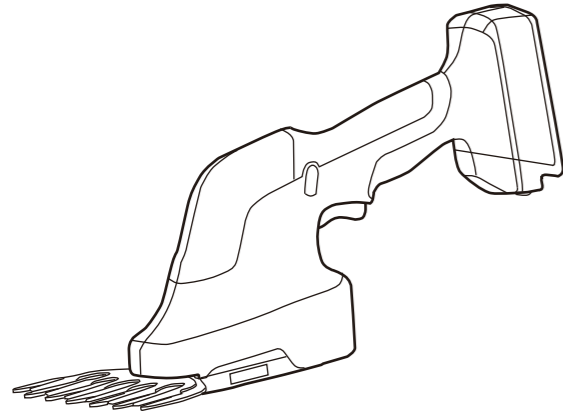


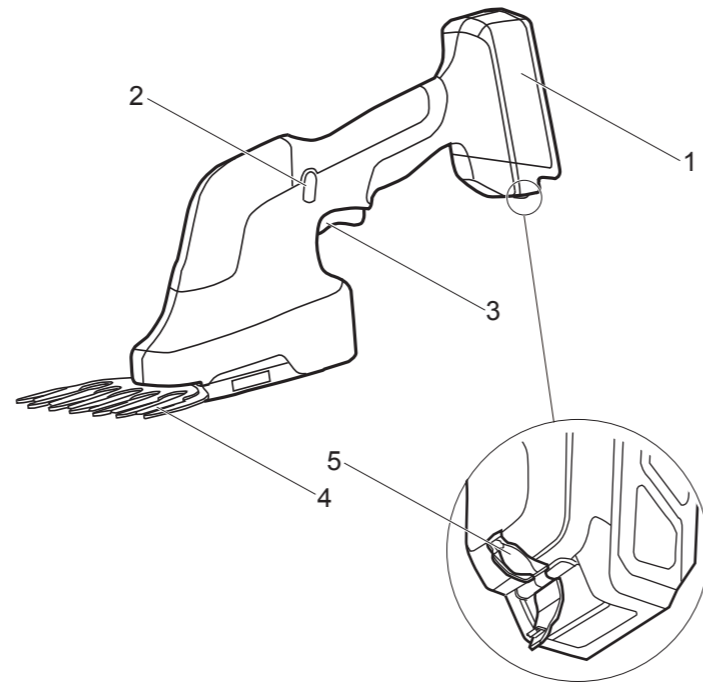
24V GARDEN SHEAR



Depending on the model purchased, packaging will contain different accessories and parts. Refer to the package for more details.

KNOW YOUR MACHINE

1

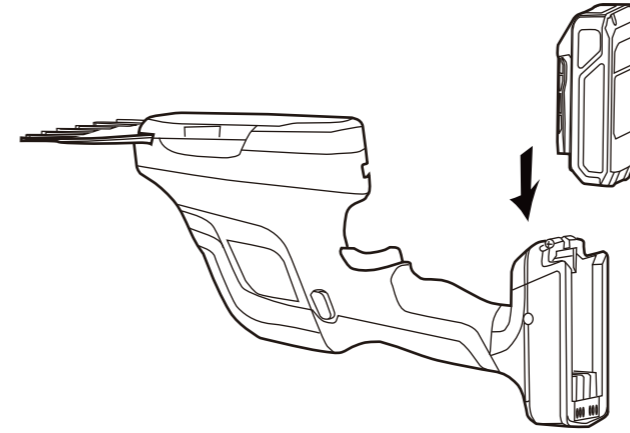


- 1. Battery compartment
- 2. Lock-off button for on/off switch
- 3. On/Off switch
- 4. Blade assembly
- 5. Socket for charge plug

INSTALLATION

Install the battery

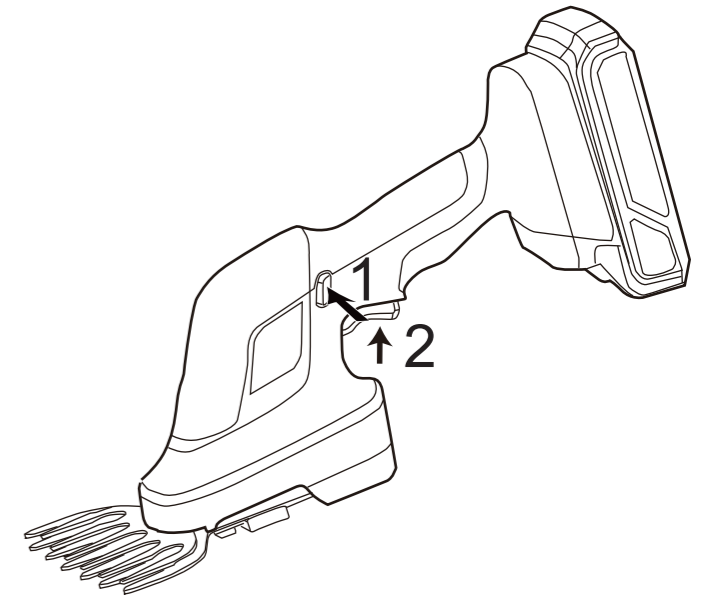
2



OPERATION

Start the machine

3



Europe  
www.greenworkstools.eu



USA  
www.greenworkstools.com

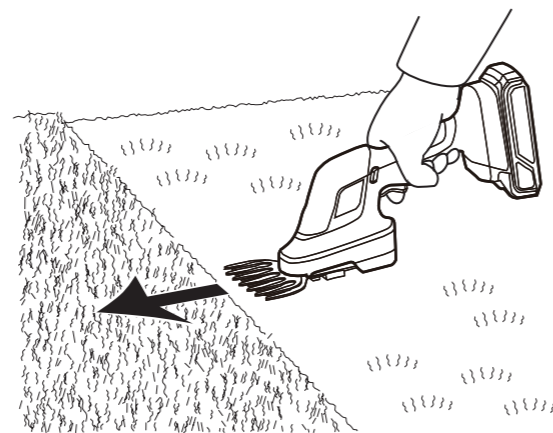


Canada  
www.greenworkstools.ca

OPERATION TIPS

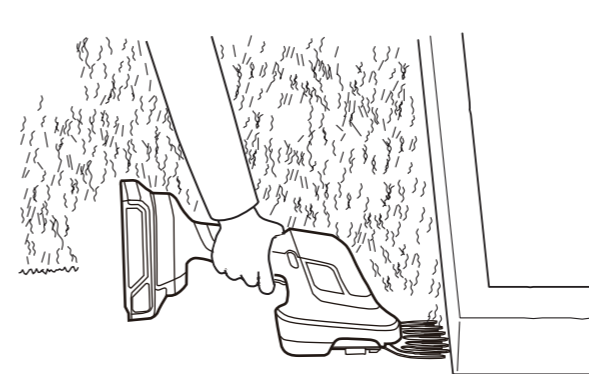
Make the foot of the tool rest on the ground and move forward.

4



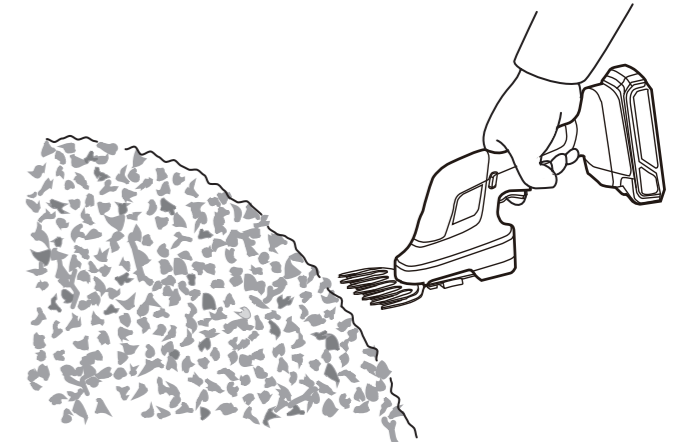
Move the tool along objects

5

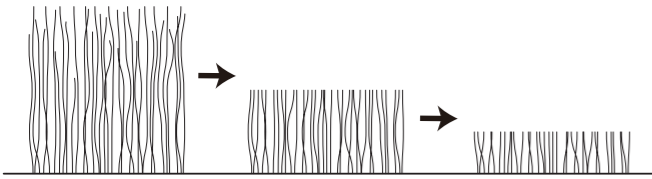


Cut little by little

6



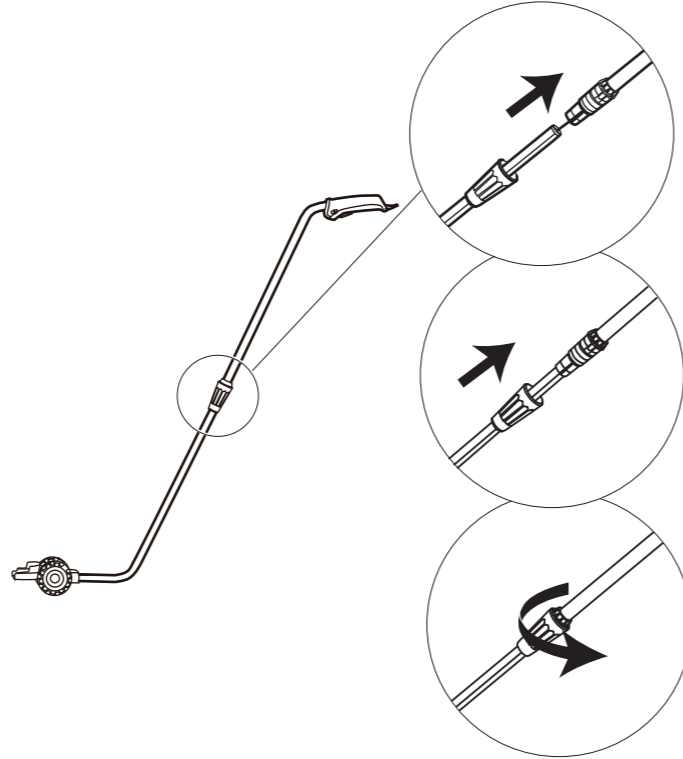
Cut long lawn in steps



7

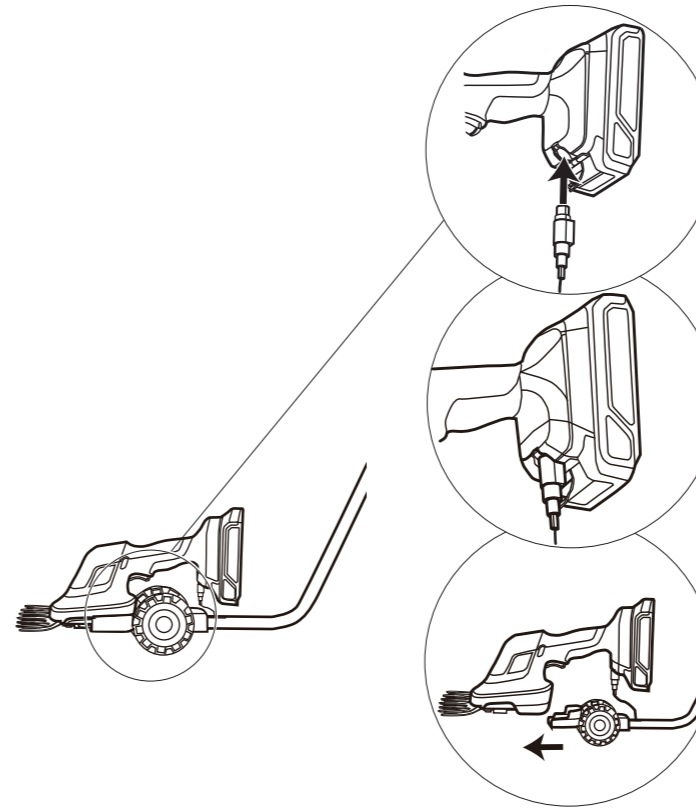
### OPERATE WITH TELESCOPIC SHAFT

Connect the telescopic shaft  
(not included, available as accessory)



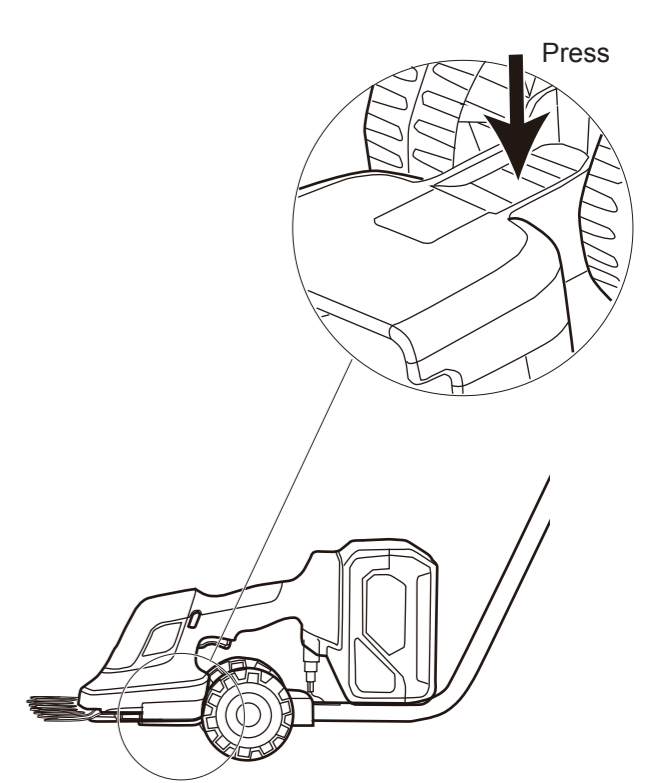
8

### Assemble the telescopic handle



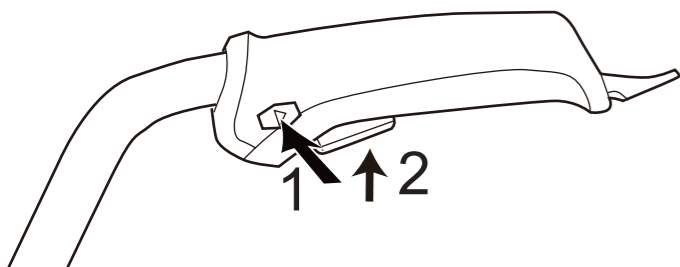
9

### Remove the telescopic handle



10

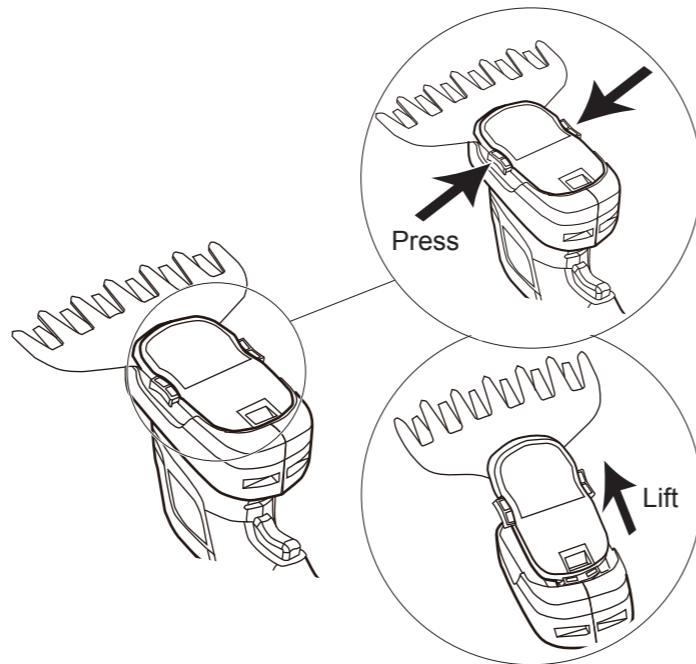
Start the machine



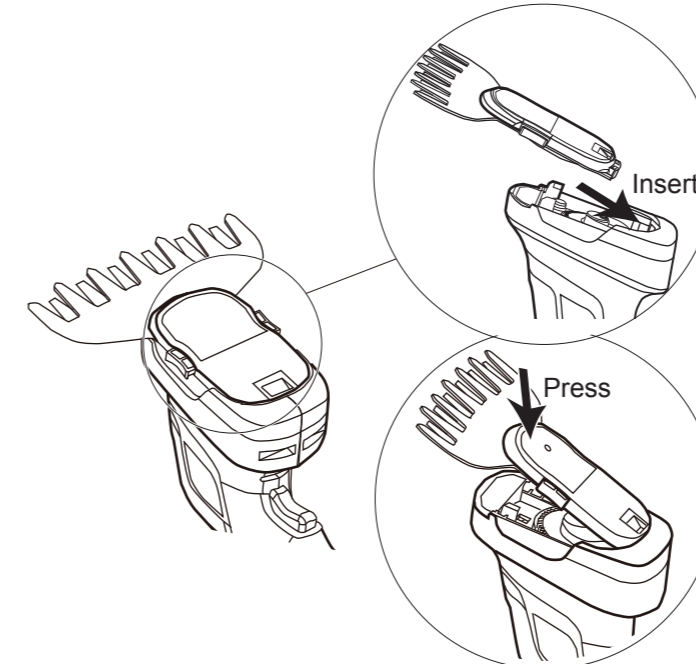
11

### MAINTENANCE

Replace the blade assembly

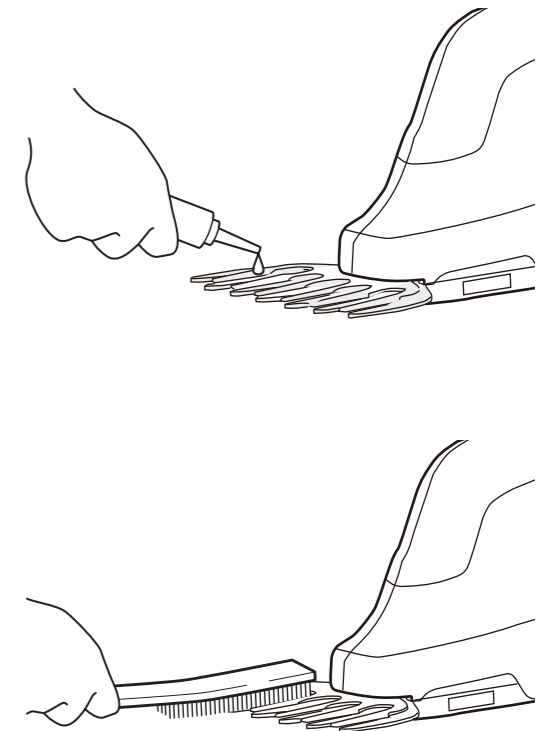


12



13

Blade maintenance



14