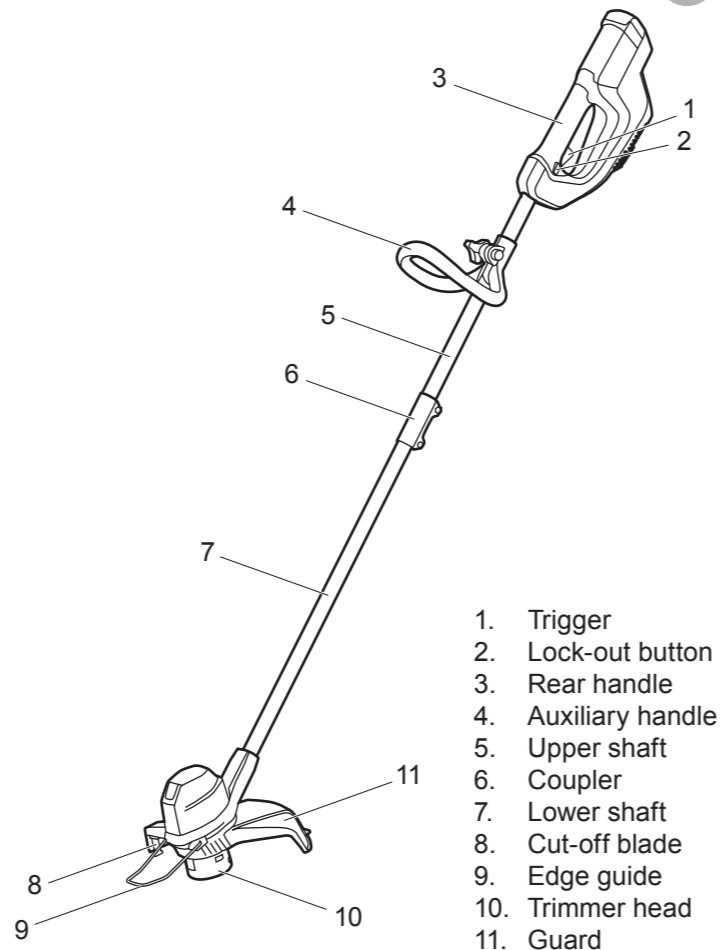


Depending on the model purchased, packaging will contain different accessories and parts. Refer to the package for more details.

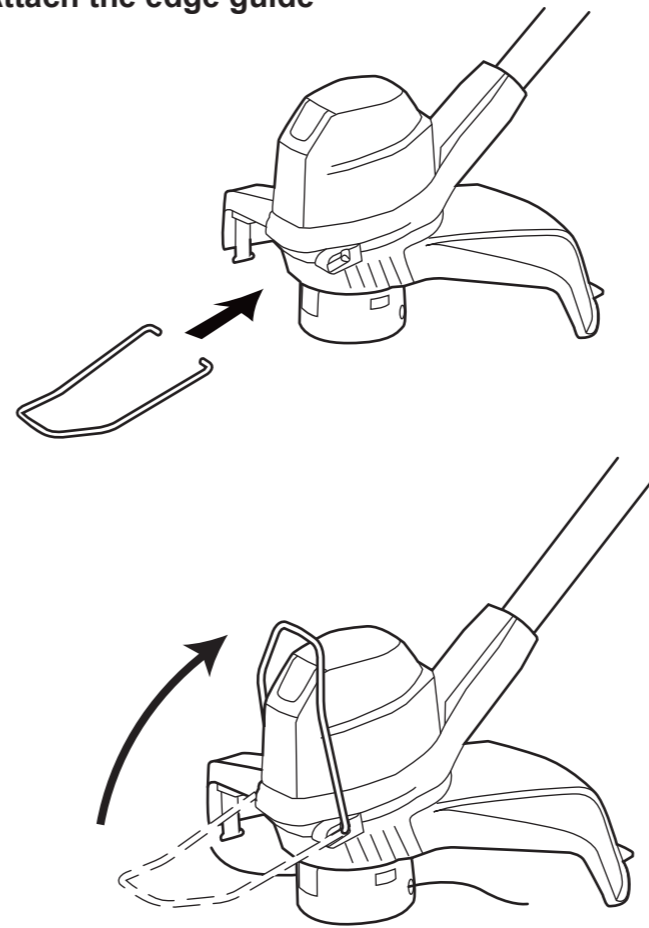
KNOW YOUR MACHINE



1. Trigger
2. Lock-out button
3. Rear handle
4. Auxiliary handle
5. Upper shaft
6. Coupler
7. Lower shaft
8. Cut-off blade
9. Edge guide
10. Trimmer head
11. Guard

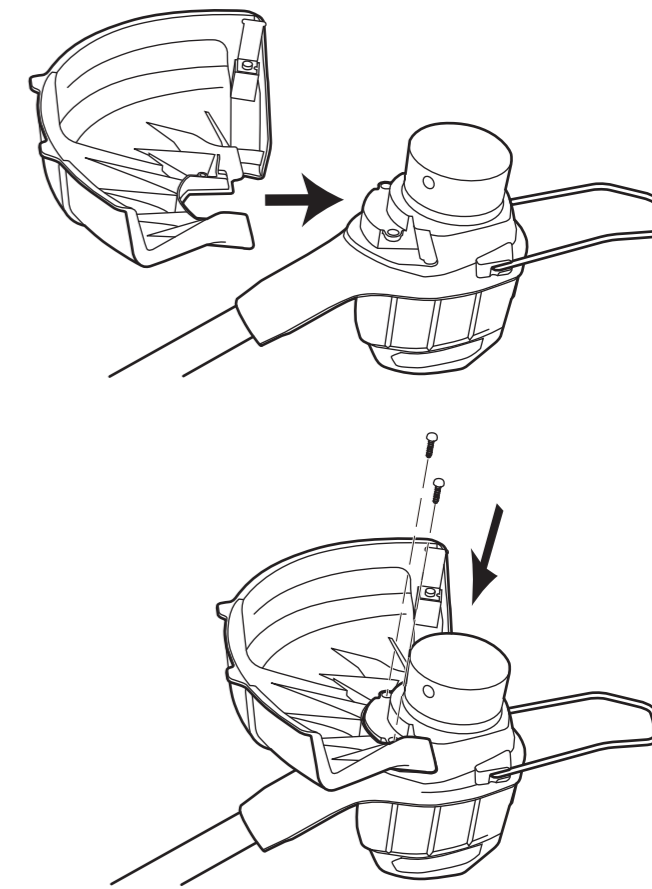
INSTALLATION

Attach the edge guide



INSTALLATION

Attach the guard



Europe
www.greenworkstools.eu



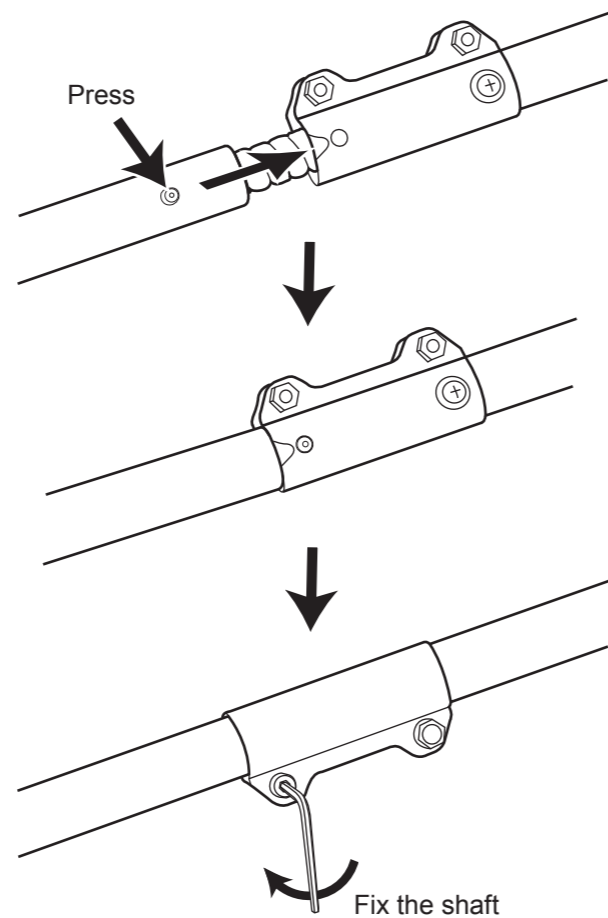
USA
www.greenworkstools.com



Canada
www.greenworkstools.ca

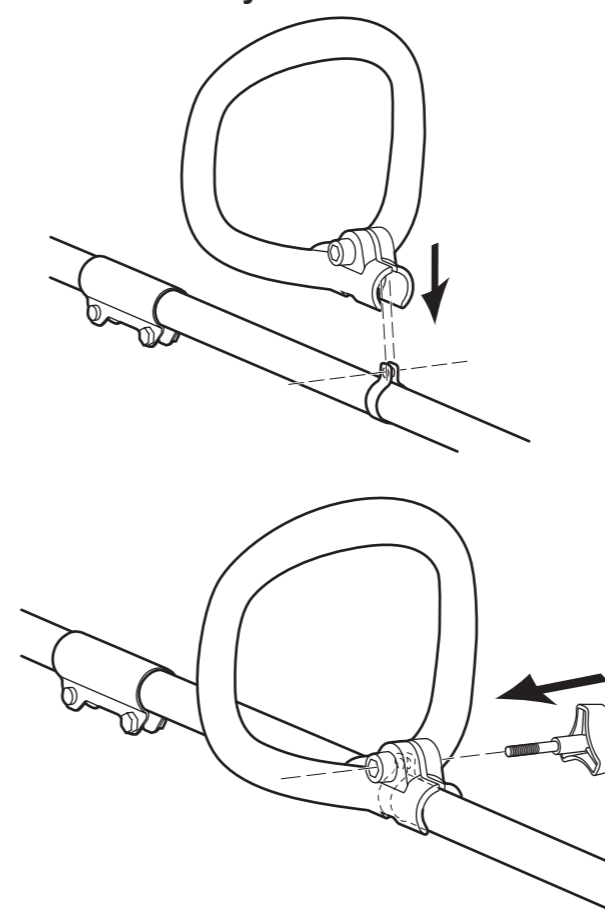
INSTALLATION

Assemble the shaft



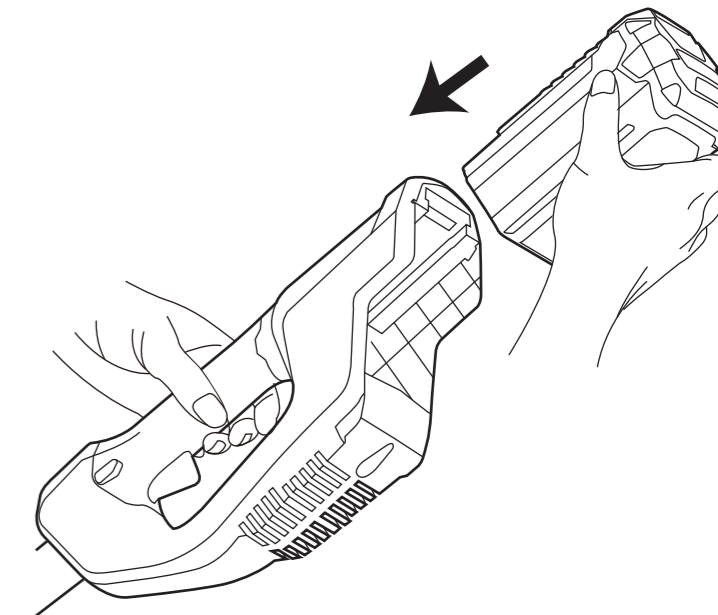
INSTALLATION

Attach the auxiliary handle



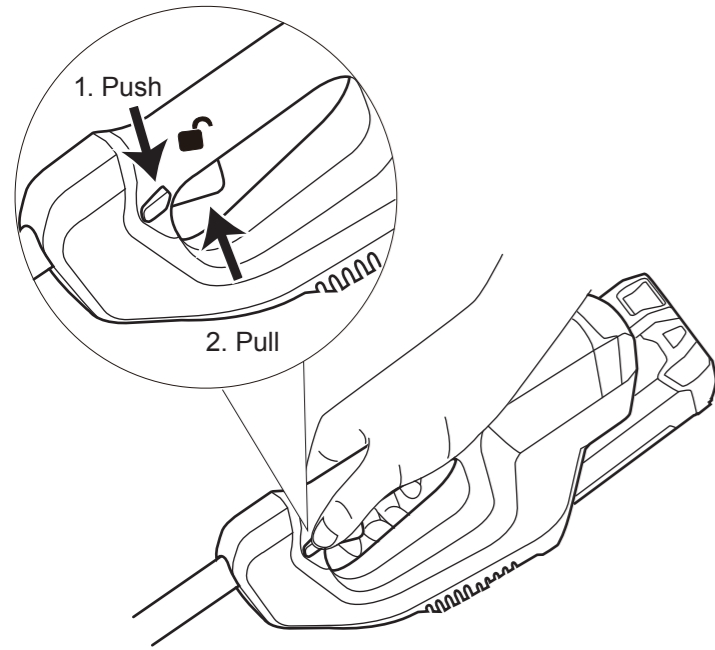
INSTALLATION

Install the battery



OPERATION
Start/stop the machine

7



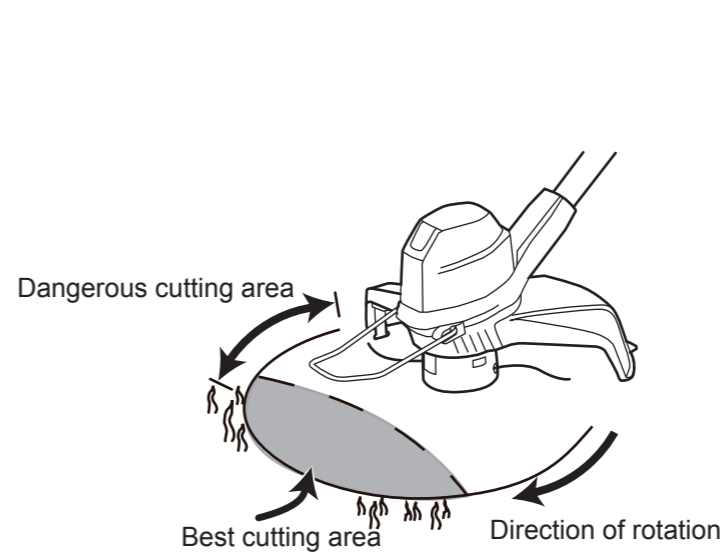
OPERATION
Operation tips

8



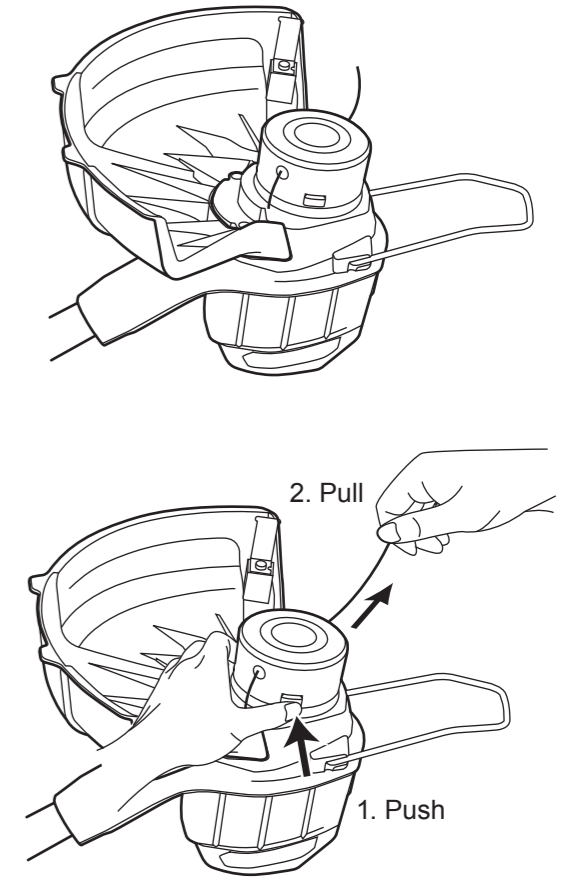
OPERATION
Cutting tips

9



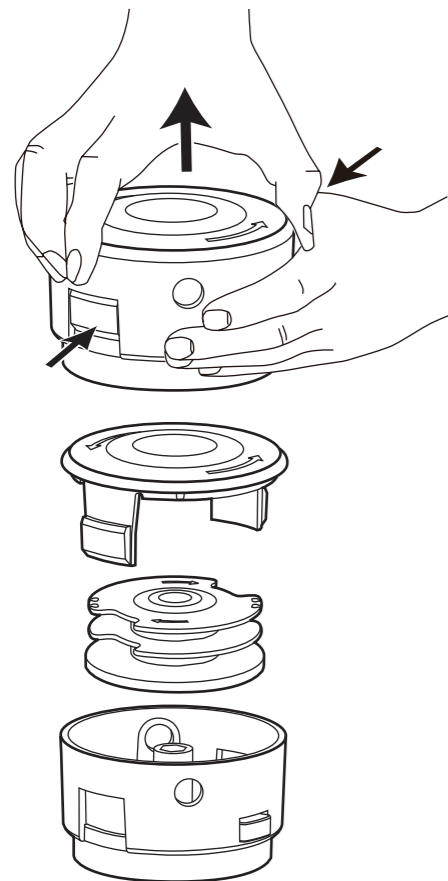
OPERATION
Adjust the length of the cutting line manually

10



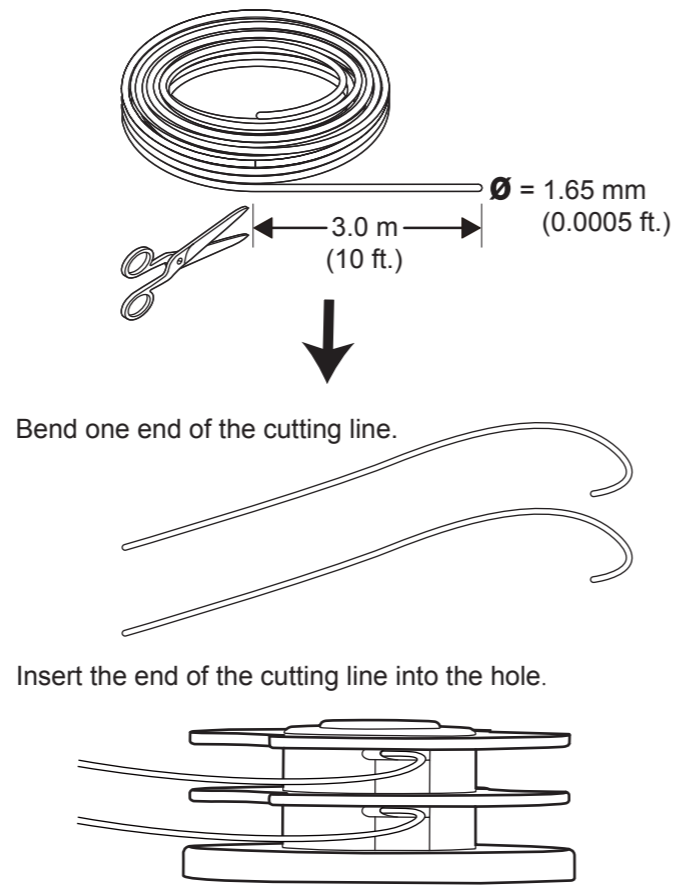
MAINTENANCE
Replace the spool

11

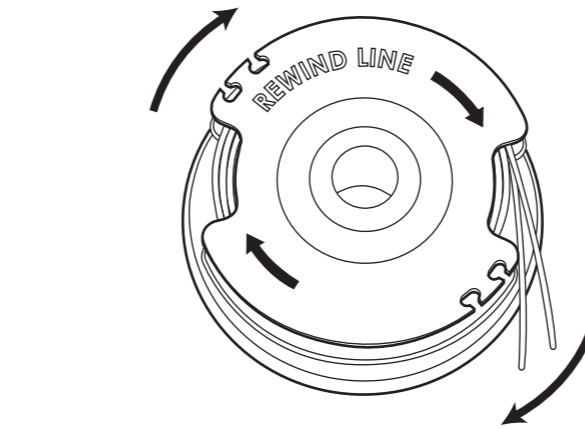


MAINTENANCE
Install the cutting line

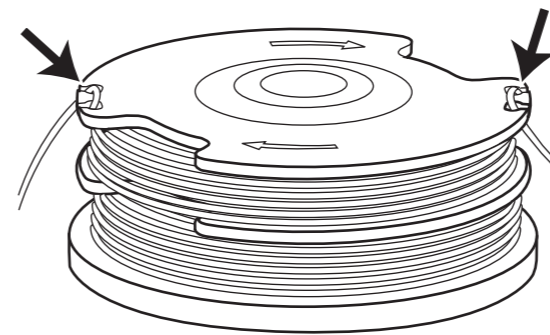
12



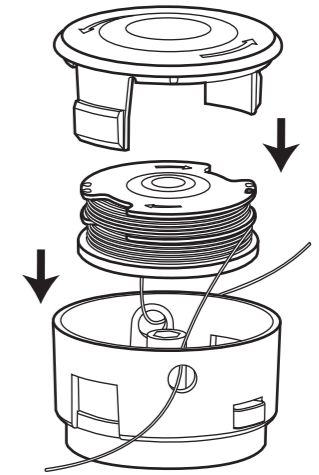
Wind the cutting line clockwise.



Lock the cutting line in the slot when not use.



13



14

