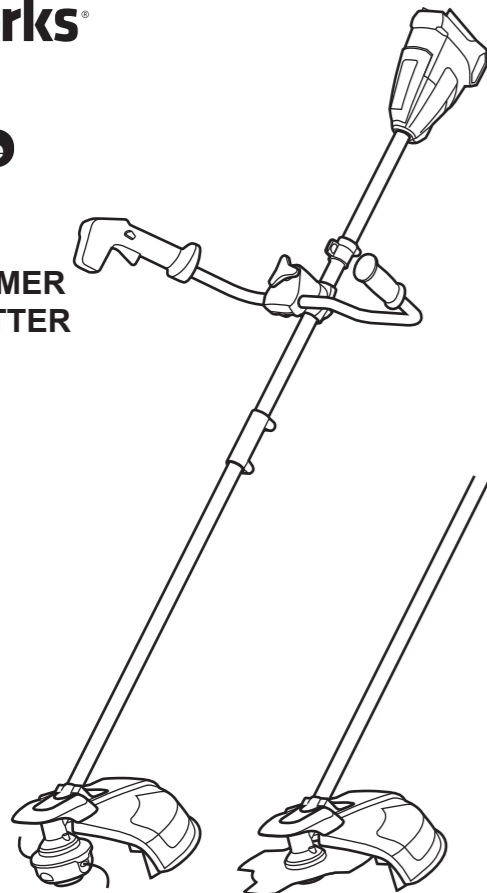


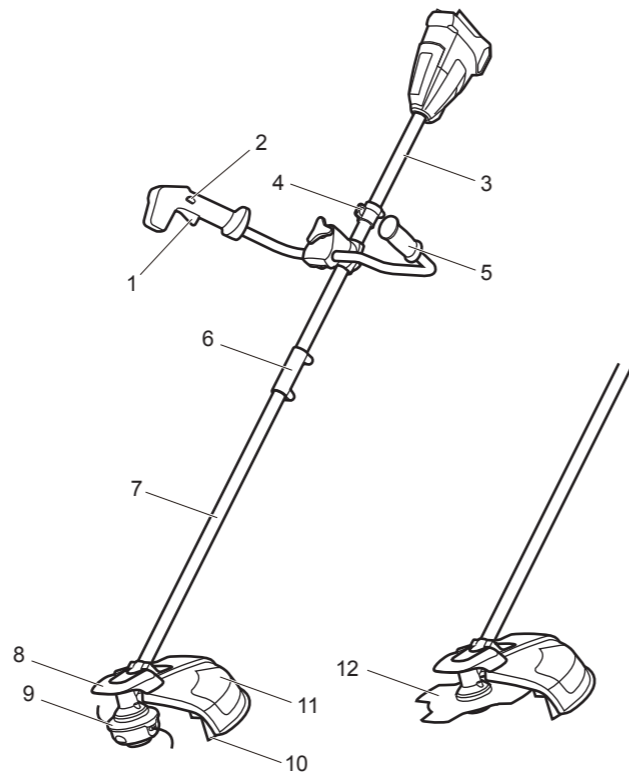
Quick Start Guide

**40V
STRING TRIMMER
& BRUSH CUTTER**



Depending on the model purchased, packaging will contain different accessories and parts. Refer to the package for more details.

KNOW YOUR MACHINE



- | | |
|---------------------|-------------------|
| 1. Trigger | 7. Lower shaft |
| 2. Lock-out button | 8. Guard cap |
| 3. Upper shaft | 9. Trimmer head |
| 4. Carrying ring | 10. Cut-off blade |
| 5. Auxiliary handle | 11. Guard |
| 6. Coupler | 12. Cutting blade |



Europe
www.greenworkstools.eu



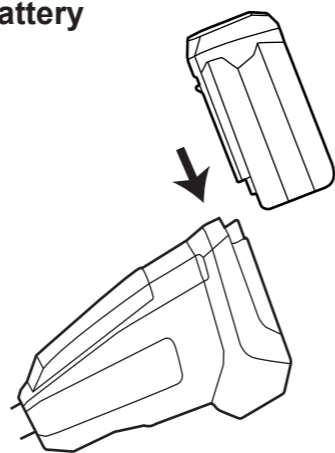
USA
www.greenworkstools.com



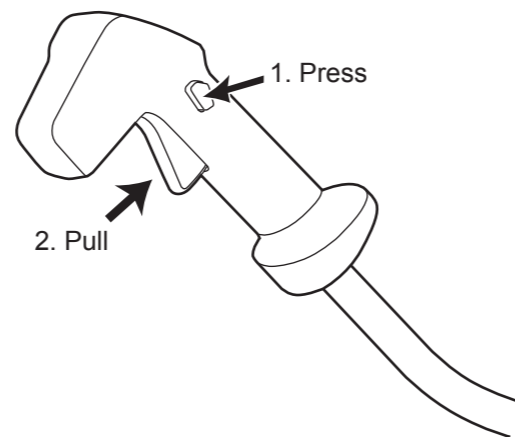
Canada
www.greenworkstools.ca

OPERATION

Install the battery



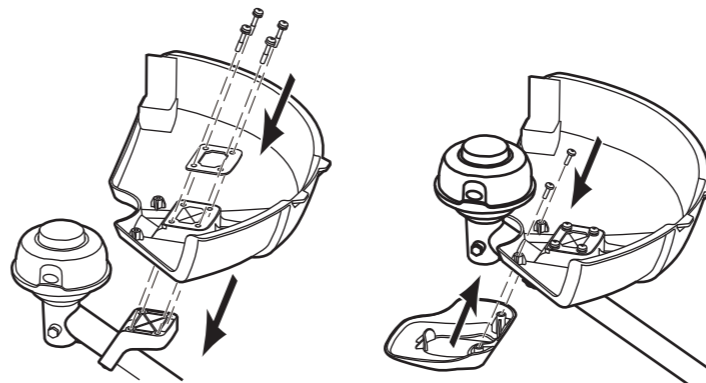
Start the machine



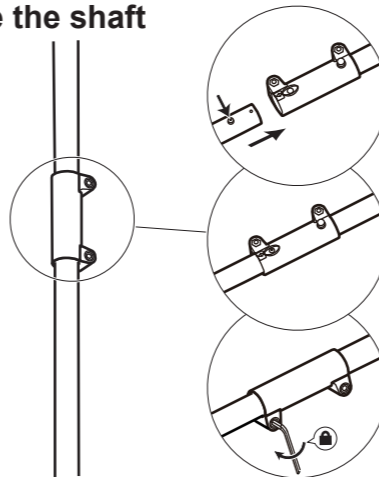
1

INSTALLATION

Attach the guard

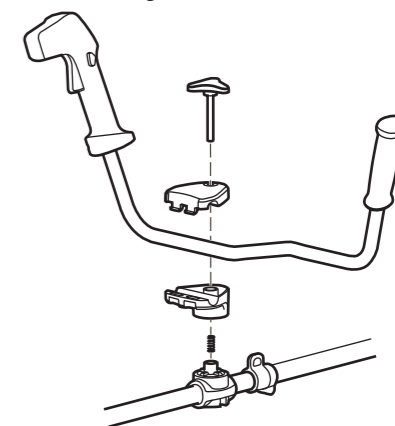


Assemble the shaft

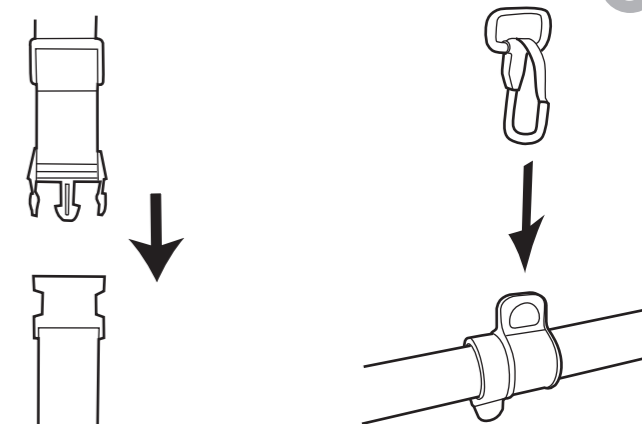


2

Attach the auxiliary handle



Attach the shoulder strap



4

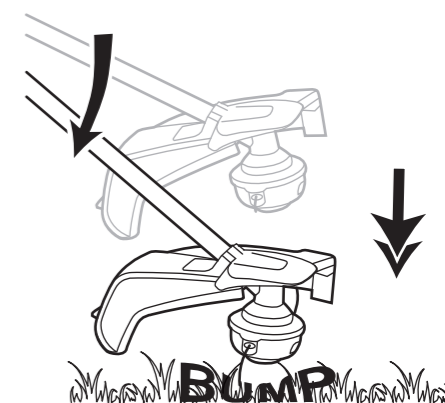
6

Operation tips

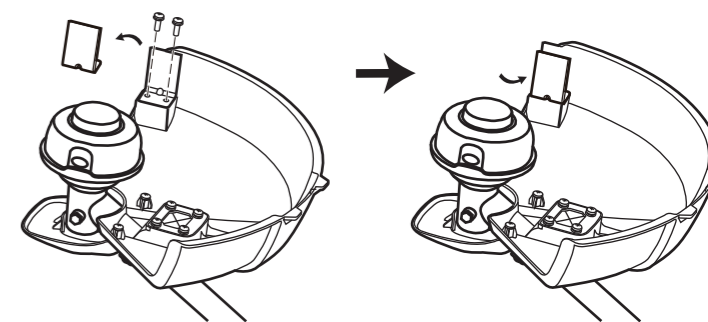


8

Adjust the length of the cutting line



Adjust the cutting diameter



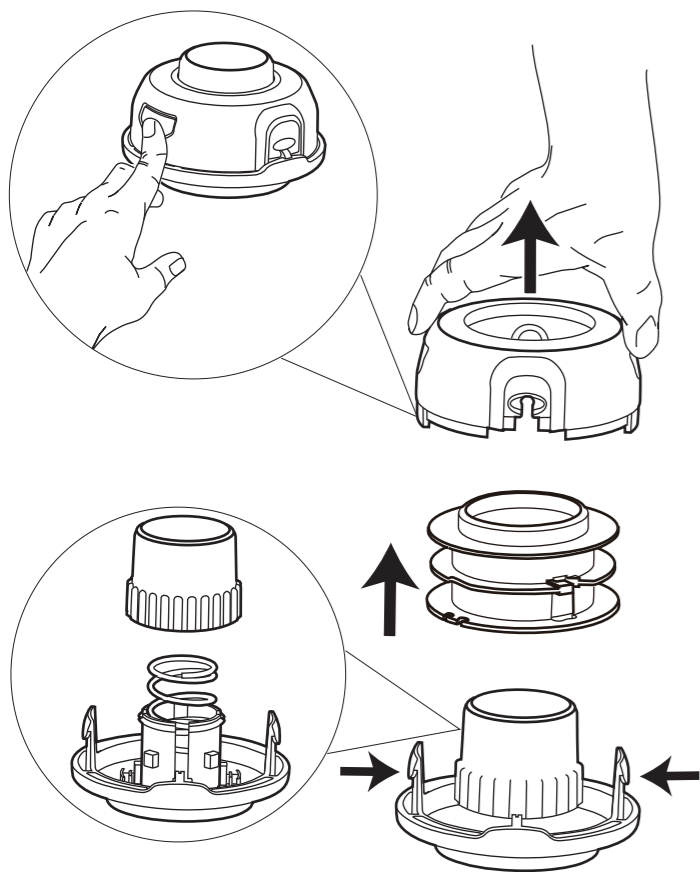
9

10

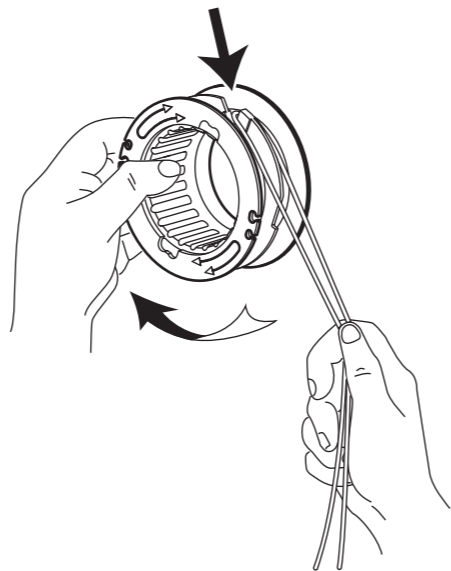
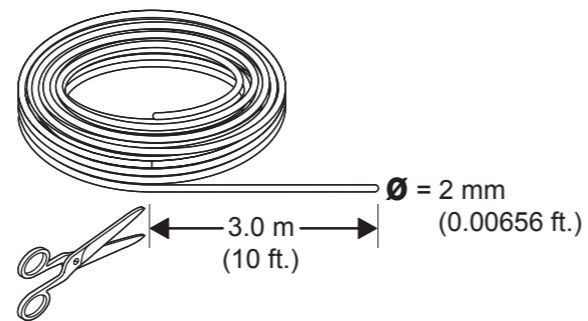
MAINTENANCE

Install the cutting line

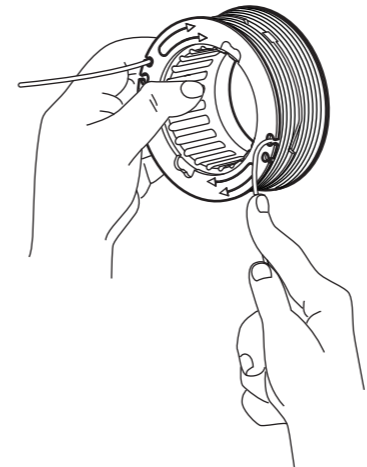
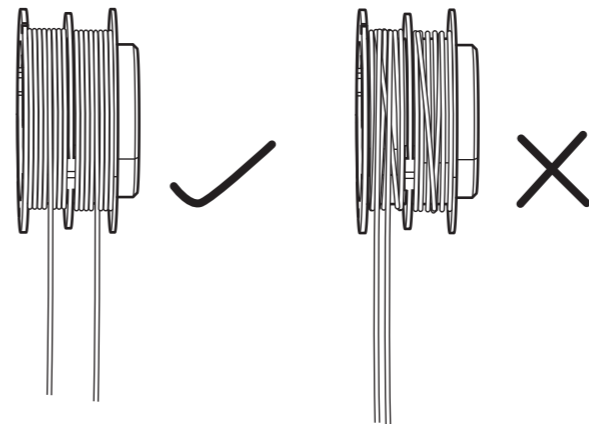
11



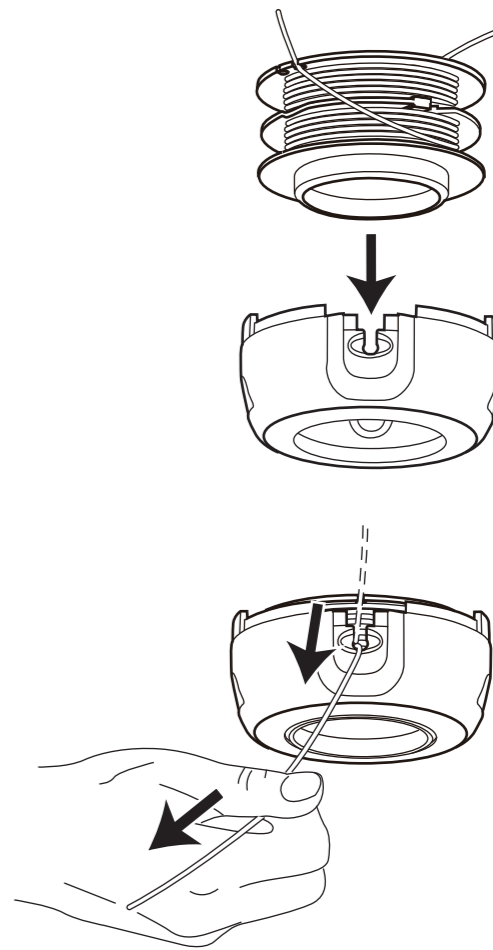
12



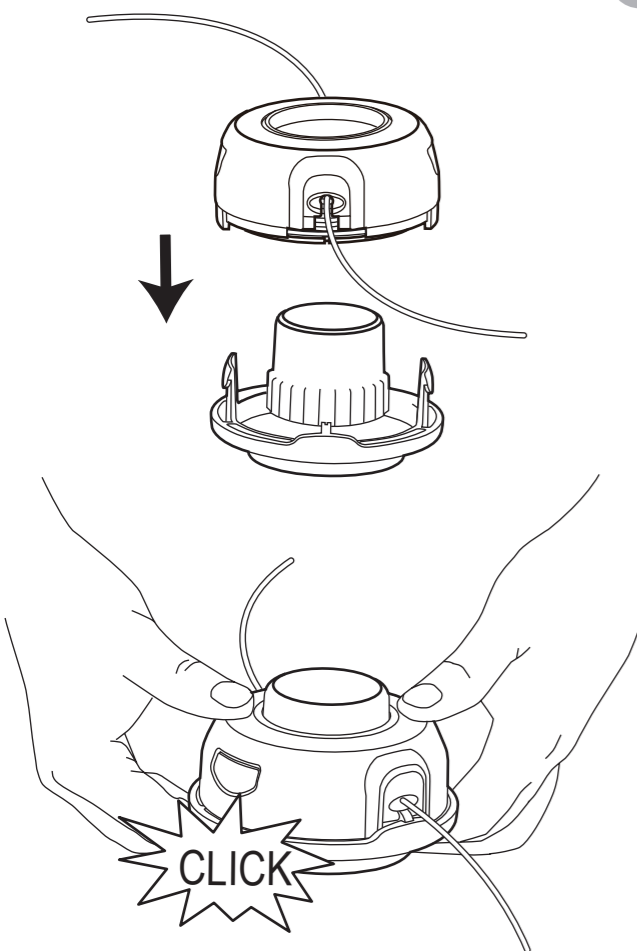
13



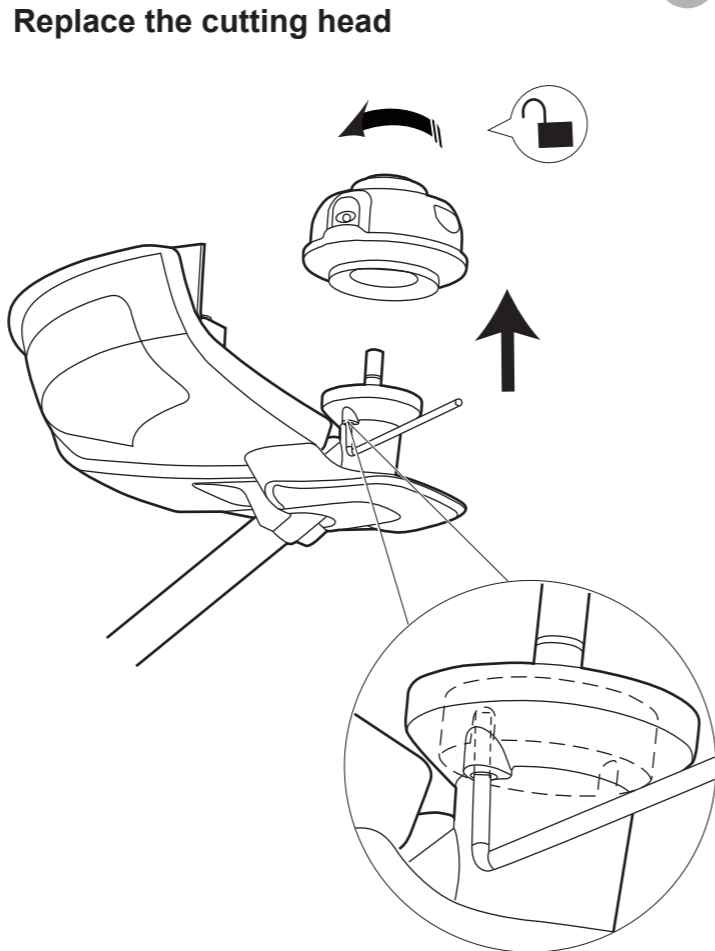
14



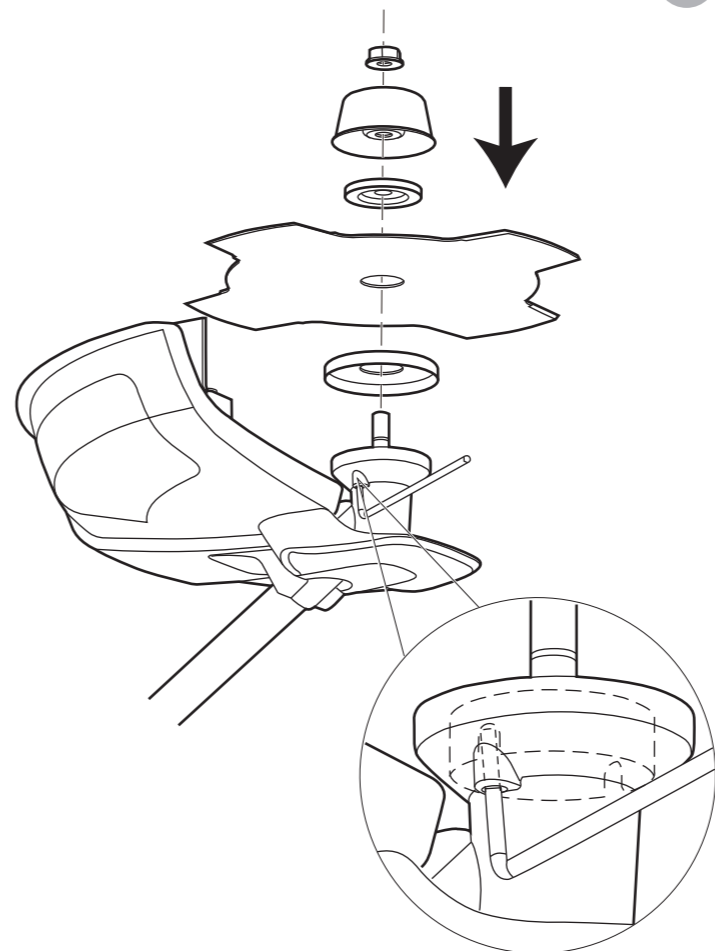
15



16



17



18

